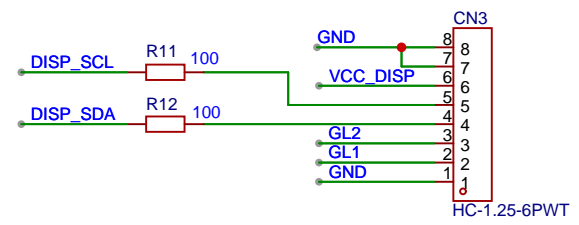
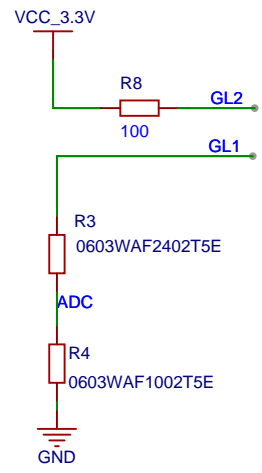
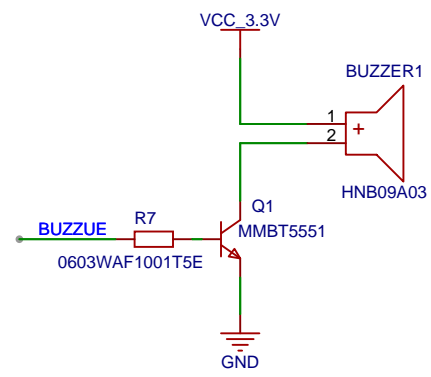
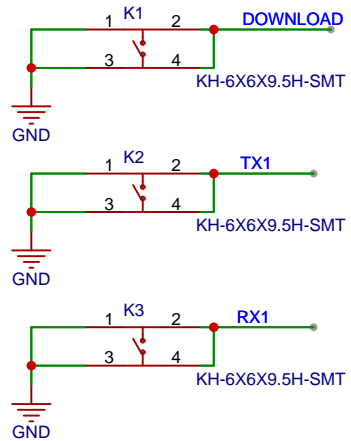
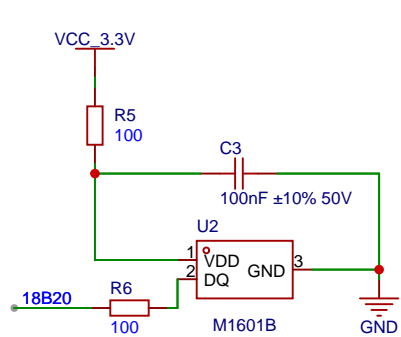
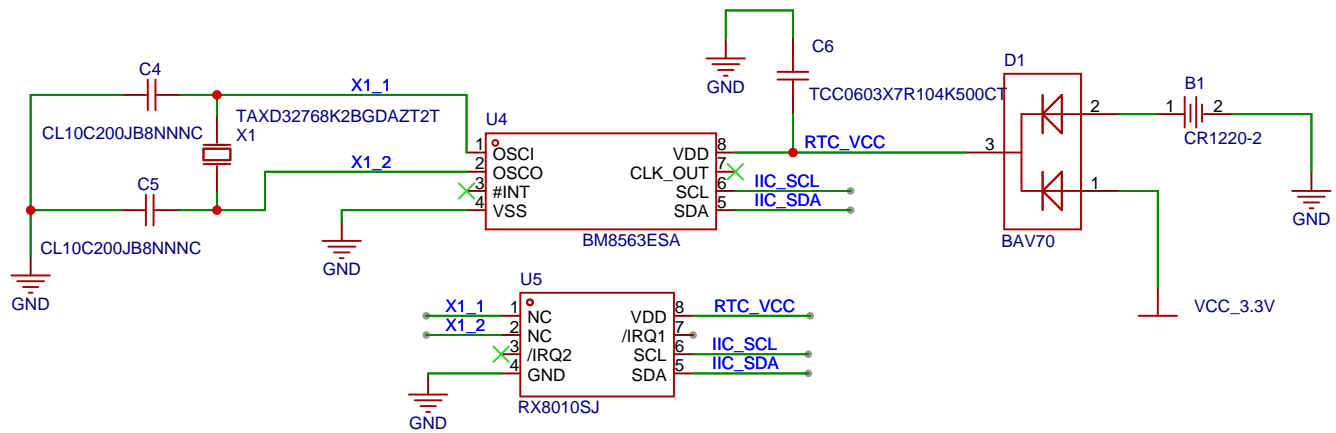


Schematic	WHEN_V3		Update Date	2024-09-13
			Create Date	2024-01-15
Page	MCU		Part Number	JLCPCB-002
Drawn	mastergong	WHEN		
Reviewed				
		VER	SIZE	PAGE 1 OF 4
		V0.1	A4	iottimer.com



Schematic	WHEN_V3		Update Date	2024-09-13				
			Create Date	2024-01-15				
Page	External		Part Number	JLCPCB-002				
Drawn	mastergong	WHEN						
Reviewed								
			VER	SIZE	PAGE	2	OF	4
			V0.1	A4	iottimer.com			



Schematic	WHEN_V3		Update Date	2024-09-13
			Create Date	2024-01-15
Page	RTC		Part Number	JLPCB-002
Drawn	mastergong	WHEN		
Reviewed				
		VER	SIZE	PAGE 3 OF 4
嘉立创EDA		V0.1	A4	iottimer.com

