

PCB

Board size: 59.69x48.26 mm (2.35x1.9 inches)

- This is the size of the rectangle that contains the board
- Thickness: 1.6 mm (63 mils)
- Material: FR4
- Finish: ENIG
- Layers: 4
- Copper thickness: 35 μ m

Solder mask: TOP / BOTTOM

- Color: Top: Blue / Bottom: Red

Silk screen: TOP / BOTTOM

- Color: Top: White / Bottom: Black

Special features:

- Edge connector: yes, bevelled
- Castellated pads
- Edge plating

Stackup:

Impedance controlled: YES

Name	Type	Color	Thickness	Material	Epsilon_r	Loss tangent
F.SilkS	Top Silk Screen	White		Liquid Photo		
F.Paste	Top Solder Paste					
F.Mask	Top Solder Mask	Blue	10	Liquid Ink	3.3	0.00
F.Cu	copper		35			
dielectric 1	prepreg		480	FR4	4.5	0.02
In1.Cu	copper		35			
dielectric 2	core		480	FR4	4.5	0.02
In2.Cu	copper		35			
dielectric 3	prepreg		480	FR4	4.5	0.02
B.Cu	copper		35			
B.Mask	Bottom Solder Mask	Red	10	Dry Film	3.3	0.00
B.Paste	Bottom Solder Paste					
B.SilkS	Bottom Silk Screen	Black		Direct Printing		

Important sizes

Clearance: 0.15 mm (6 mils)

Track width: 0.15 mm (6 mils)

- By design rules: 0.13 mm (5 mils)

Drill: 0.25 mm (10 mils)

- Vias: 0.25 mm (10 mils) [Design: 0.2 mm (8 mils)]
- Pads: 0.6 mm (24 mils)

Via: 0.51/0.25 mm (20/10 mils)

- By design rules: 0.46/0.2 mm (18/8 mils)
- Micro via: no [0.2/0.1 mm (8/4 mils)]
- Buried/blind via: no

Outer Annular Ring: 0.25 mm (10 mils)

- By design rules: 0.25 mm (10 mils)

Eurocircuits class: 6D

General stats

Components count: (SMD/THT)

- Top: 61/12 (SMD + THT)
- Bottom: 0/0 (NONE)

Defined tracks:

- 0.15 mm (6 mils)
- 0.3 mm (12 mils)
- 0.64 mm (25 mils)

Used tracks:

- 0.15 mm (6 mils) (276) defined: yes
- 0.3 mm (12 mils) (11) defined: yes
- 0.64 mm (25 mils) (175) defined: yes

Defined vias:

- 0.51/0.25 mm (20/10 mils)
- 0.89/0.51 mm (35/20 mils)

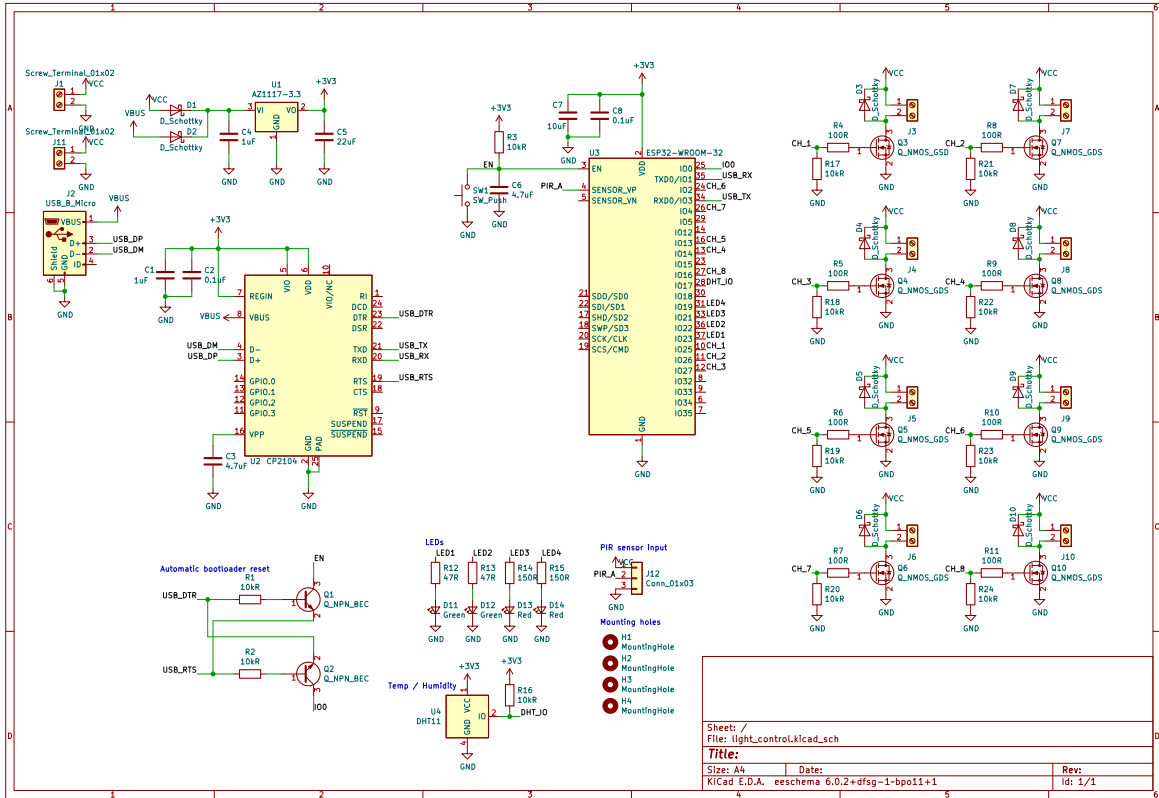
Used vias:

- 0.51/0.25 mm (20/10 mils) (Count: 23, Aspect: 3.1 A) defined: yes
- 0.89/0.51 mm (35/20 mils) (Count: 33, Aspect: 1.8 A) defined: yes

Holes (excluding vias):

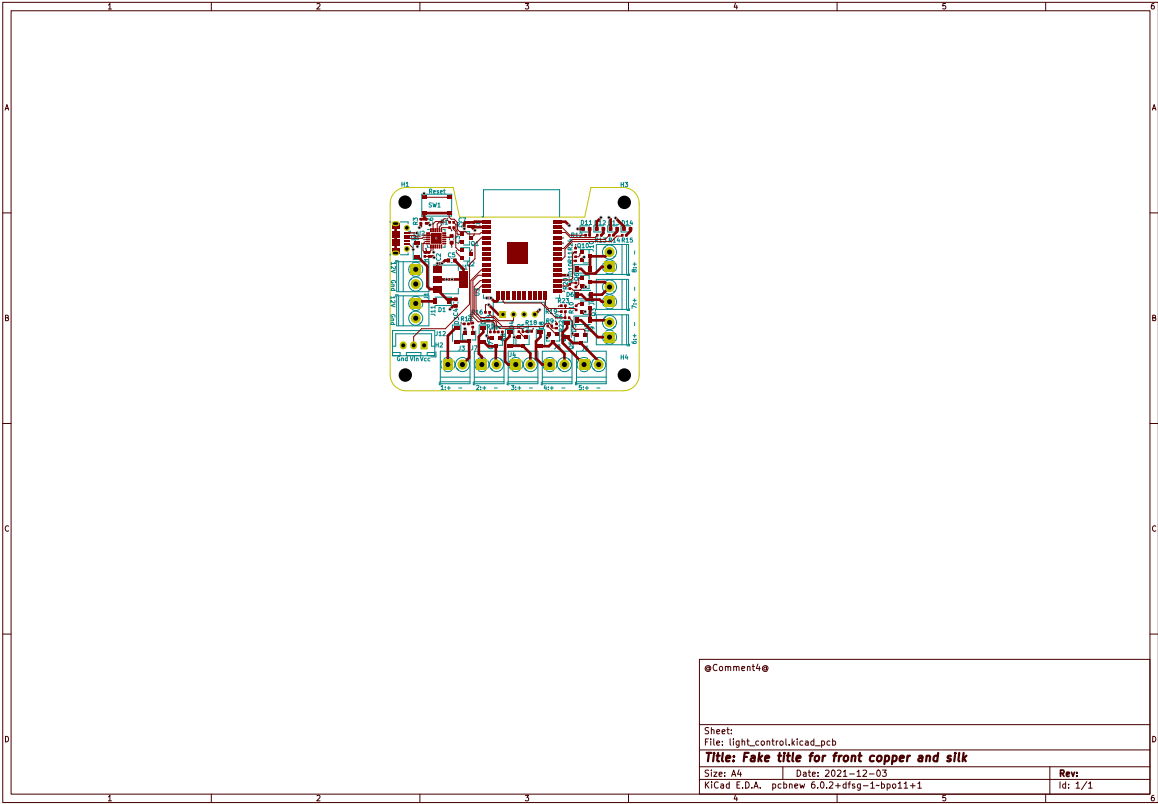
- 0.8 mm (31 mils) (4)
- 0.85 mm (33 mils) (2)
- 0.95 mm (37 mils) (3)
- 1.2 mm (47 mils) (20)
- 3.2 mm (126 mils) (4)

Schematic

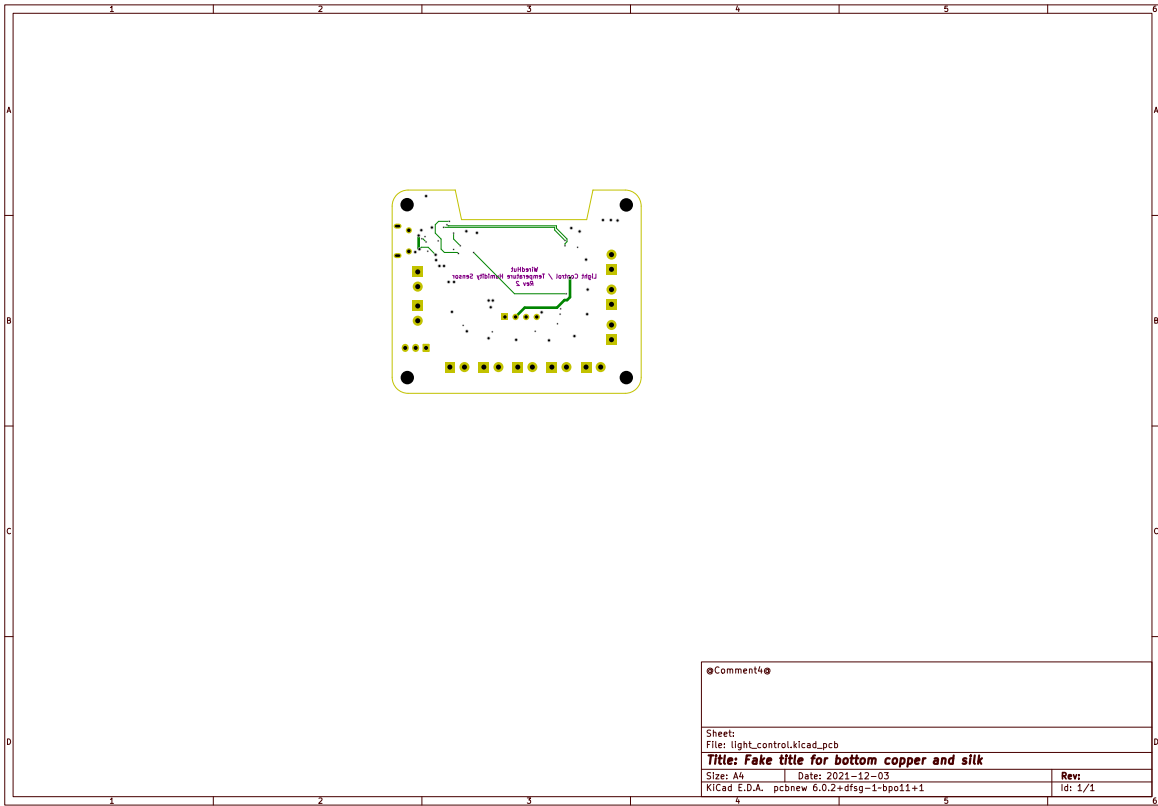


Schematic

PCB Layers



Top copper and silkscreen



Bottom copper and silkscreen